

Installation manual

M Collaboration Floorstand 55"-86"

EAN: 7350105216763

- en Installation manual
- ar تثبيت الطاولة
- cz Instalační manuál
- da Installationsmanual
- de Installationsanleitung
- ee Paigaldusjuhend
- el Οδηγίες εγκατάστασης
- es Manual de instalación
- fi Asennusohje
- fr Installation Manuel
- he הנקתה ירדמ
- hu Szerelési kézikönyv
- it Manuale di installazione
- jp 取り付け説明書
- kr 설치 설명서
- li Montavimo instrukcija
- lt Uzstādīšanas rokasgrāmata
- nl Installatie handleiding
- no Installasjonshåndbok
- pl Instrukcja instalacji
- pt Manual de instalação
- ro Manual de instalare
- ru Инструкция по установке
- sk Inštaláčny manuál
- sl Navodila za montažo
- sv Installationsmanual
- tr Montaj kılavuzu
- zh 安装手册

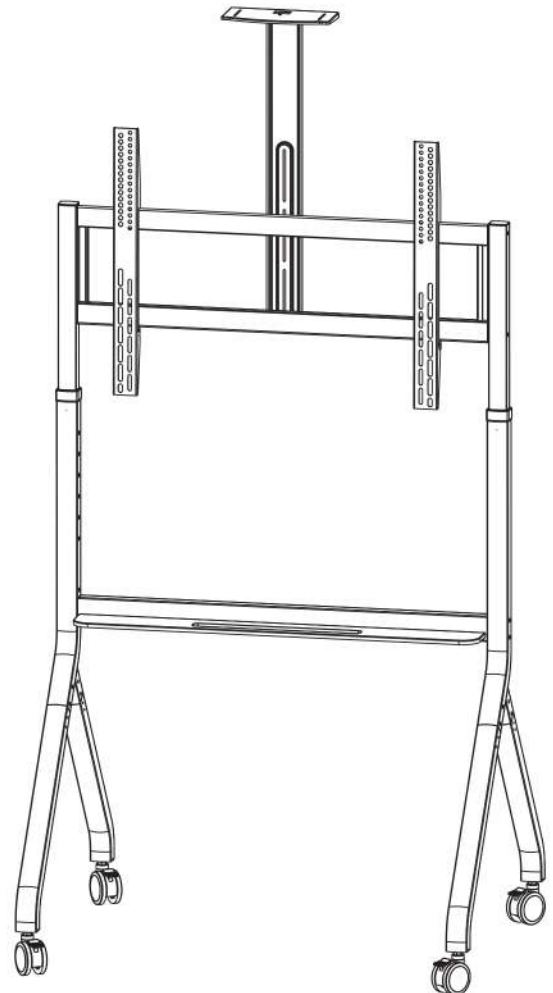


Table of Contents

Table of Contents and Warning	2/12
Parts list	3/12
1. Legs and Uprights Assembly	4/12
2. Height adjustment	5/12
3. Tray and Crossband Assembly	6/12
4. Pillars and Crossband Assembly	7/12
5. Panel Installation	8/12
6. VESA Mounting Patterns	9/12
7. VESA Rails and TV Assembly	10/12
8. Mounting TV onto Cart	11/12
9. Camera Tray Assembly	12/12

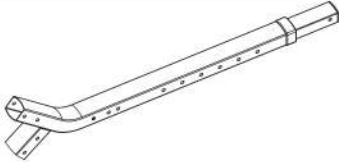
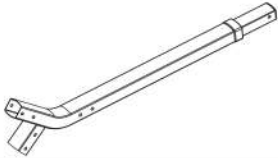

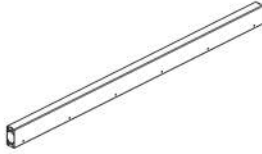
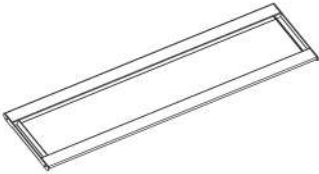
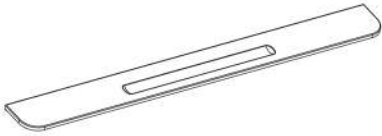
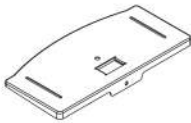




WARNING!





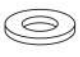








Severe personal injury and property damage can result from improper installation or assembly. Read the following warning carefully before beginning.

- If you do not understand the instructions or have any concerns or questions, please contact a qualified local installer.
 - Do not install or assemble if the product or hardware is damaged or missing, if you require replacement parts, please contact your local distributor for assistance.
 - This product fits most 55"-86" LCD/plasma screen; maximum weight of LCD/plasma screen:200lbs/ 90 kg;AV shelf max load:10lbs/4.5kg.
 - Do not use this product for anything other than the original design.
 - This product contains moving parts, please use with caution.
 - The manufacturer disclaims any liability for the modifications, improper installation, or installation over the specified weight range. The manufacturer will not be liable for any damages arising out of the use of, or inability to use, the product.
- ▶ All images are for reference, to prevail in product.

Manual							
Tightening Direction	Loosening Direction	Phillips Screwdriver	Meter Ruler	Adjustment	By Hand	Allen key	+ Tightening - Loosening

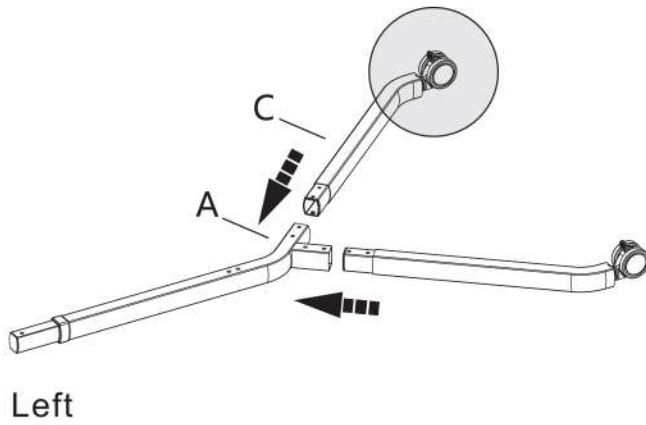
Parts List


A  <div style="text-align: right;">Left 1X</div>	B  <div style="text-align: right;">Right 1X</div>
C  <div style="text-align: right;">4X</div>	D  <div style="text-align: right;">1X</div>
E  <div style="text-align: right;">1X</div>	F  <div style="text-align: right;">1X</div>
G  <div style="text-align: right;">1X</div>	H  <div style="text-align: right;">1X</div>
I  <div style="text-align: right;">1X</div>	J  <div style="text-align: right;">1X</div>
K  <div style="text-align: right;">3X</div>	

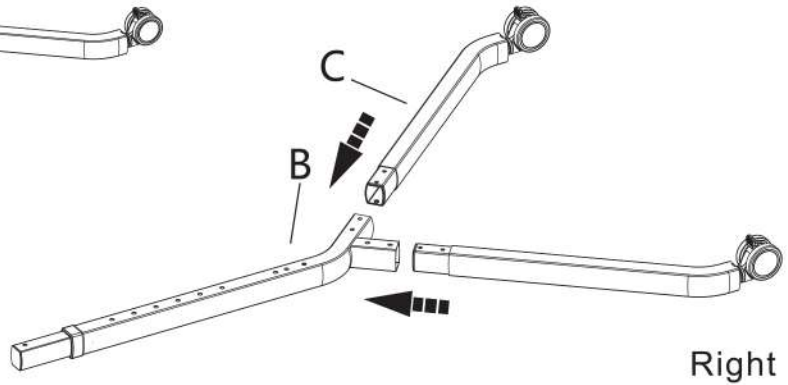
A1	B1	C1	D1	E1	F1	
4X	4X	4X	4X	4X	4X	
						
M10×15mm	M8×25mm	M6×25mm	M5×25mm	Φ16×Φ6.2×1.5mm	Φ15×Φ8.2×10mm	
A2	B2	C2	D2	E2	F2	G2
8X	16X	8X	11X	1X	1X	1X
						
M8×60mm	M6×10.5mm	φ 8.2× φ 16×1.2mm	M5×10mm			5mm

1. Legs and Uprights Assembly

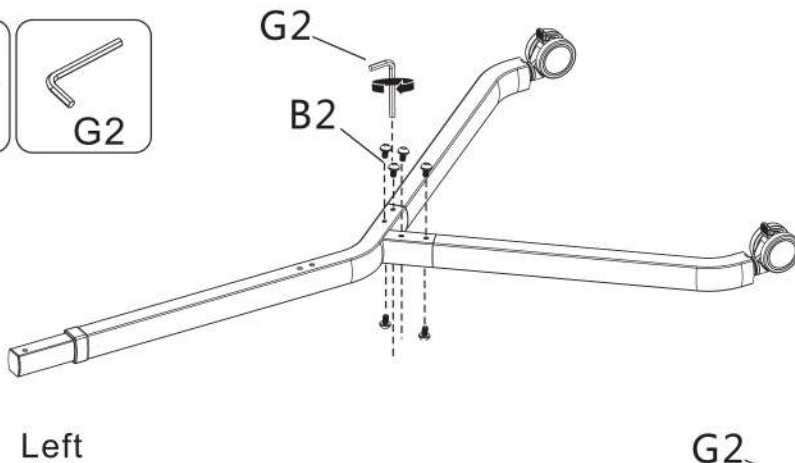
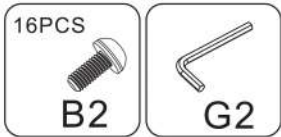
1.1



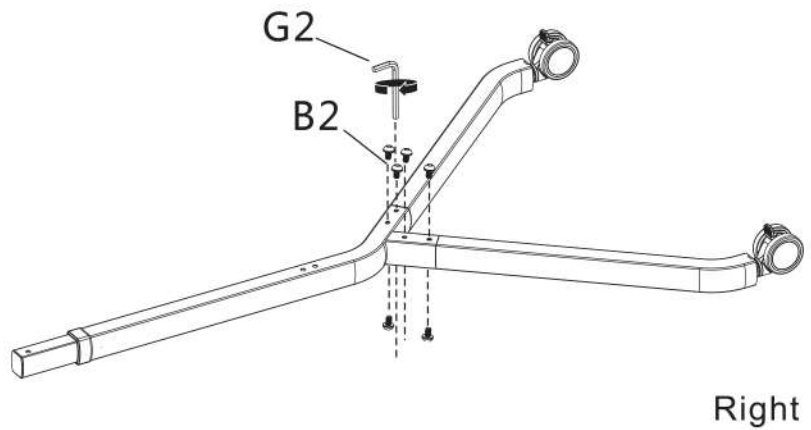

Note:
Curve side inward.



1.2

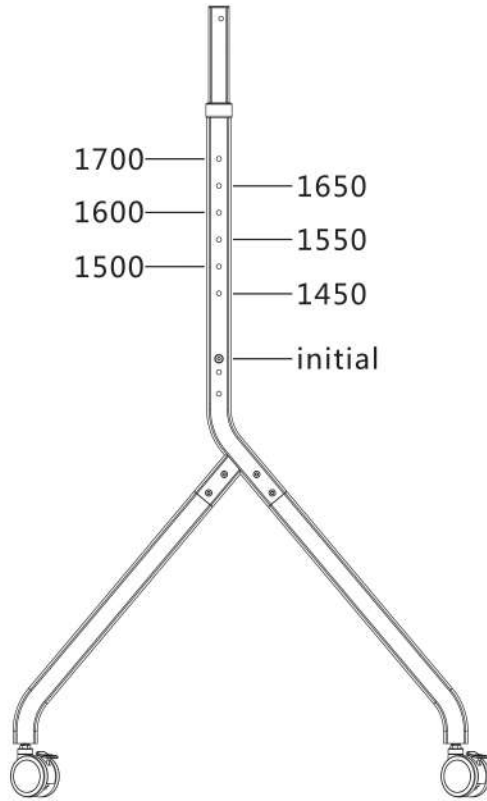




Note:
tighten screws.





2. Height adjustment

2.1

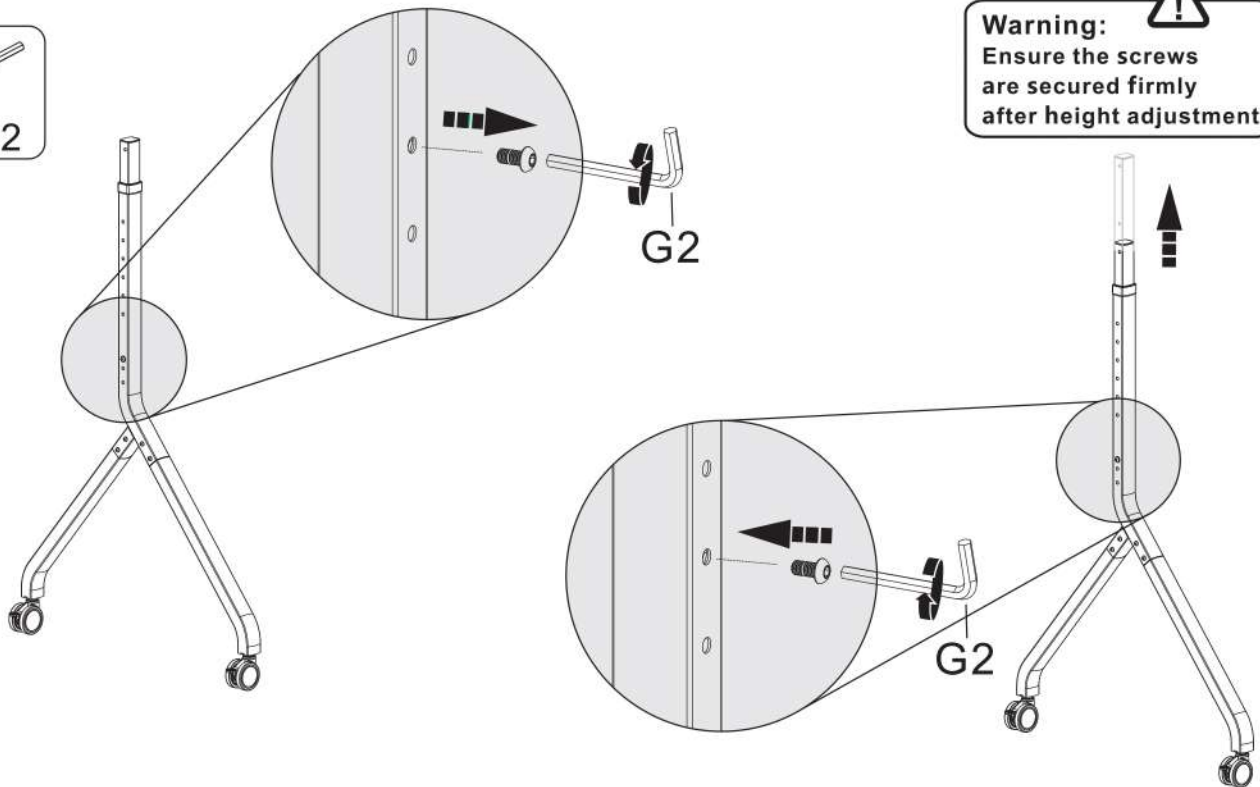



Note:  It is set at initial height. Please adjust to desired height before you use.

Note:  Height on the left is the distance from floor to the center of the TV, if the VESA on TV is centered above and below. otherwise, height for reference only.

Note:  Same height should be adjusted on left and right pillars.

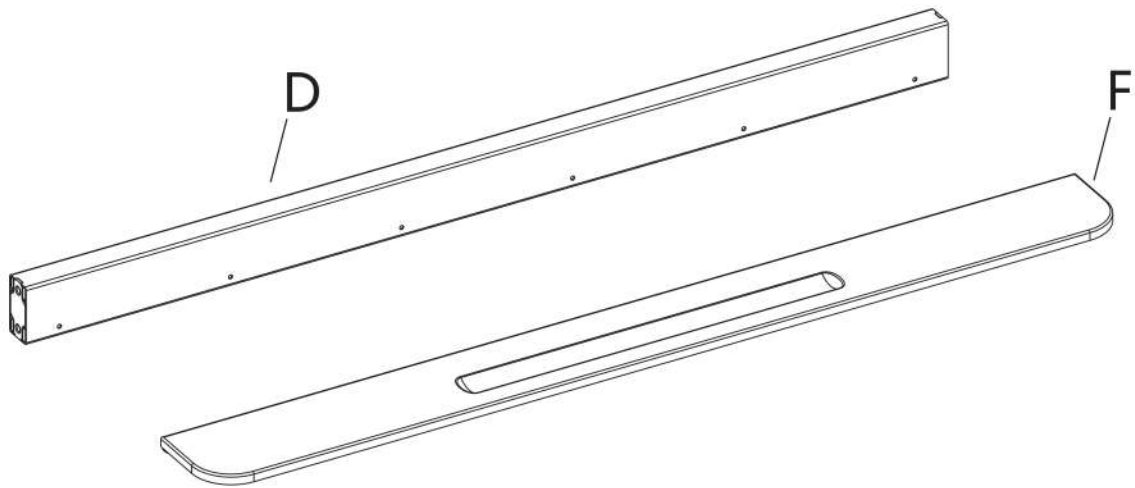
2.2



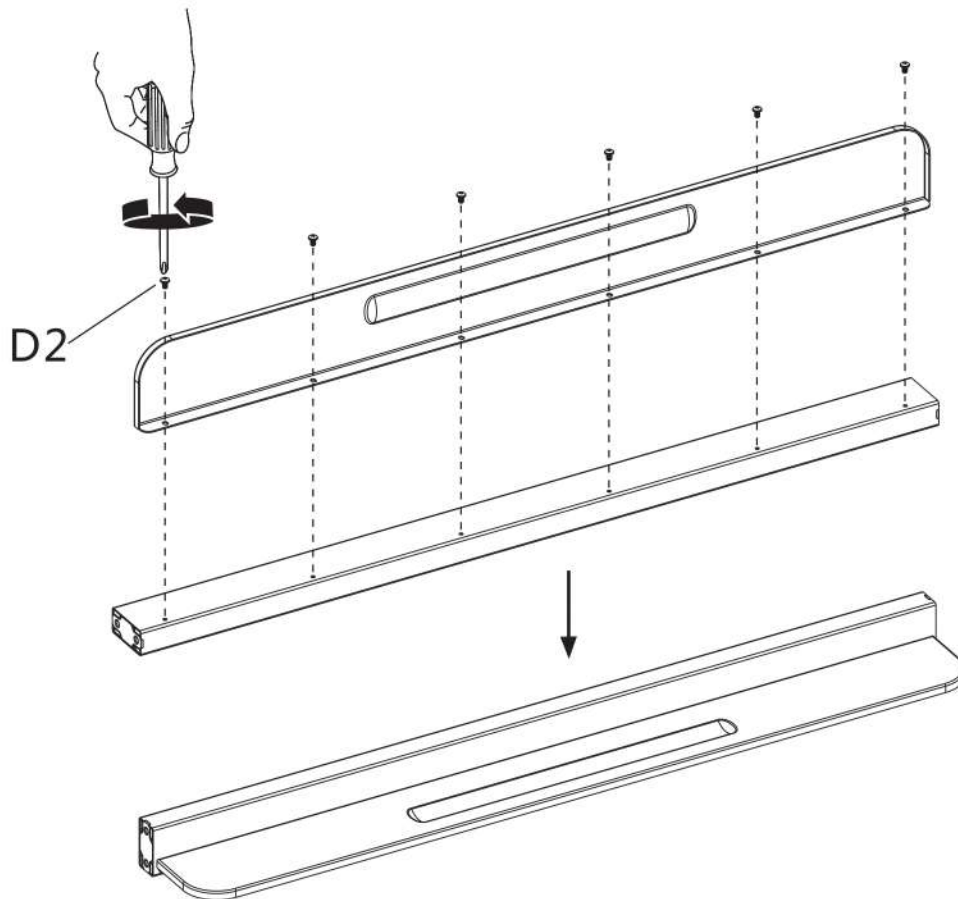
Warning:  Ensure the screws are secured firmly after height adjustment.

3.Tray and Crossband Assembly

3.1



3.2



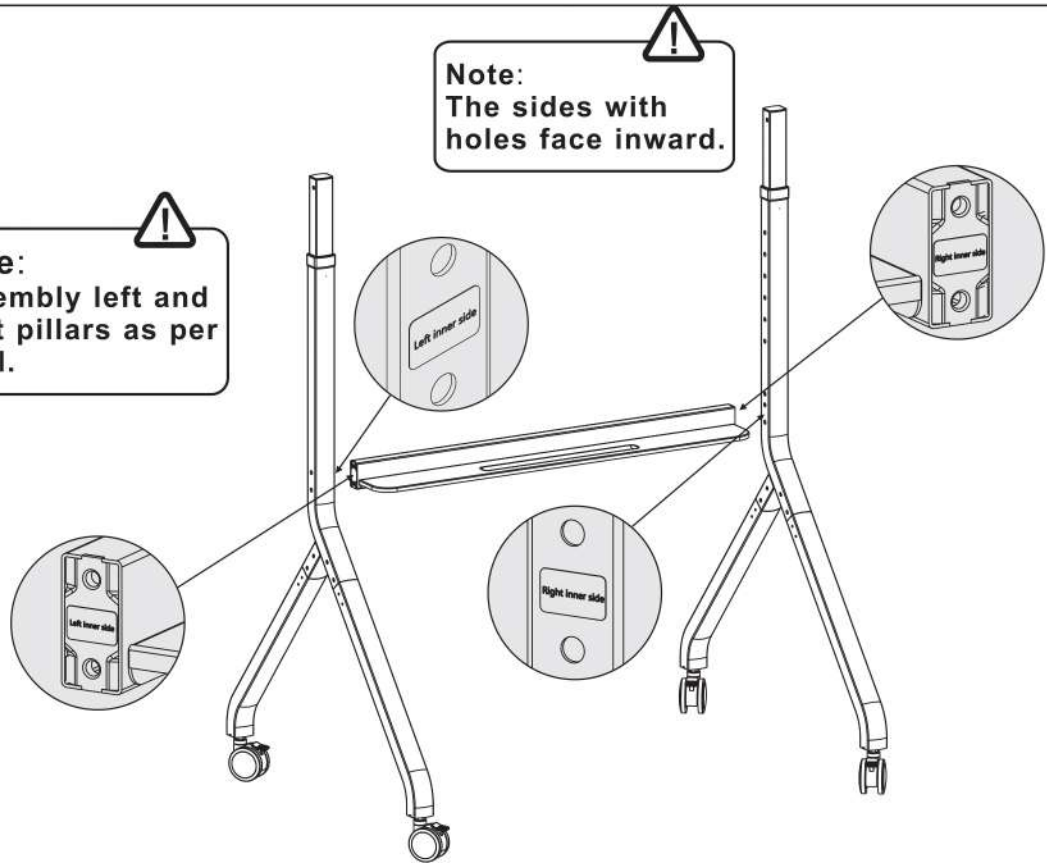
4. Pillars and Crossband Assembly

4.1

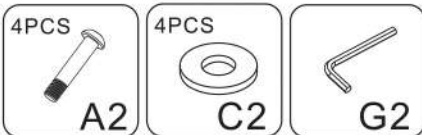


Note:
Assembly left and right pillars as per label.

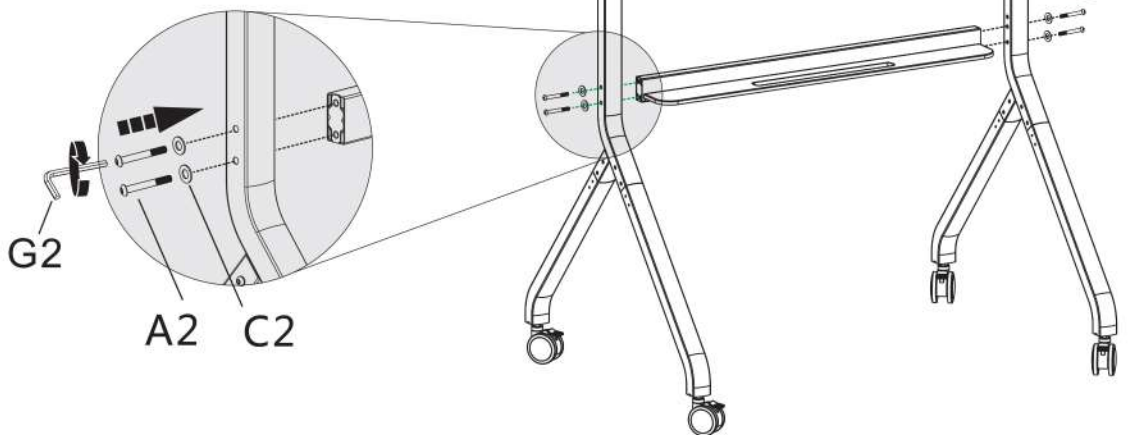
Note:
The sides with holes face inward.



4.2



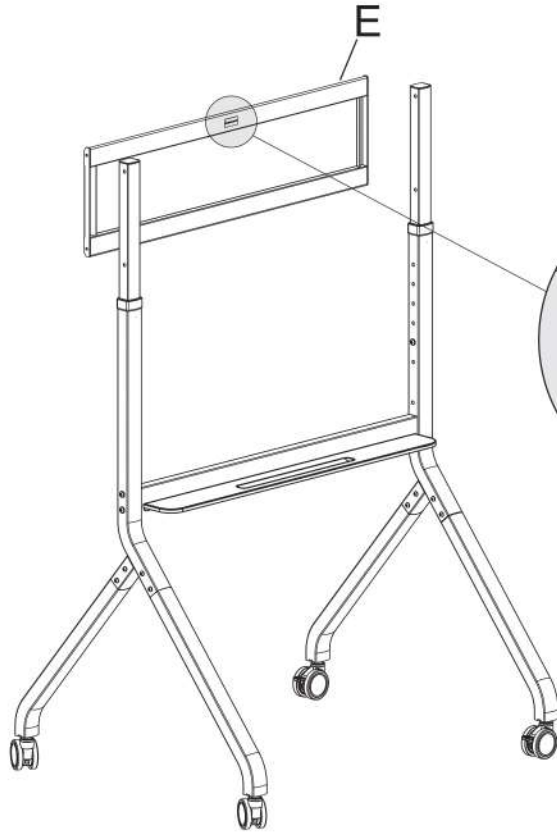
Note:
tighten screws.



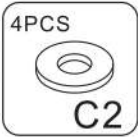
7/12

5. Panel Installation

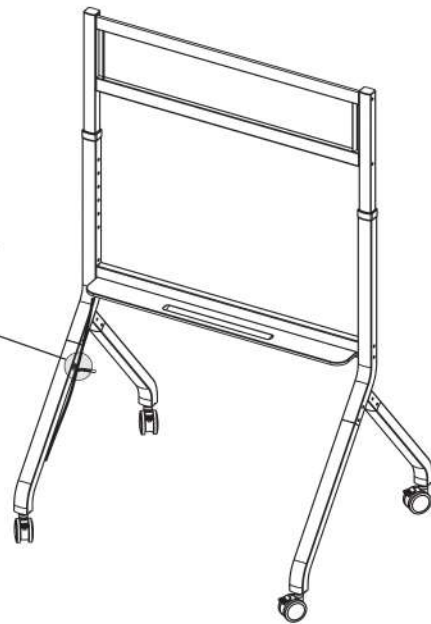
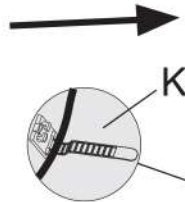
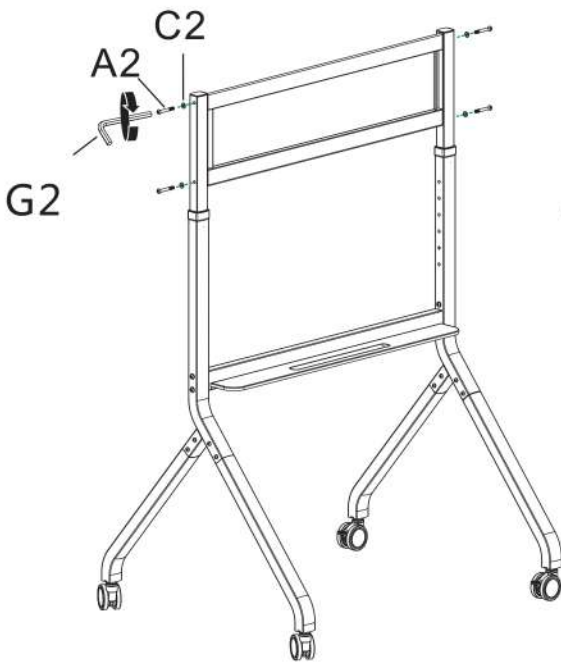
5.1



Note:
Assemble the panel
as per instruction
on label.



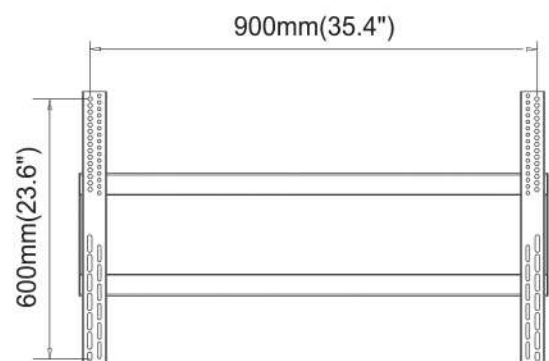
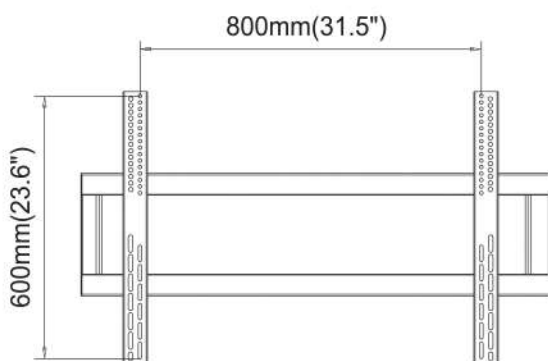
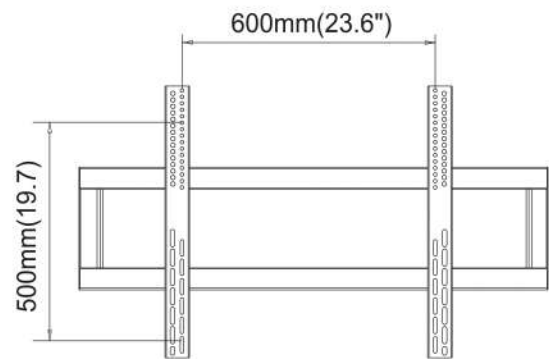
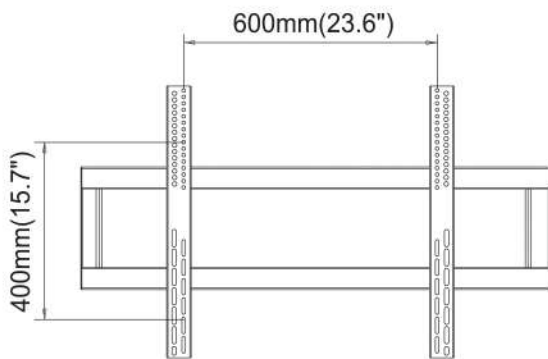
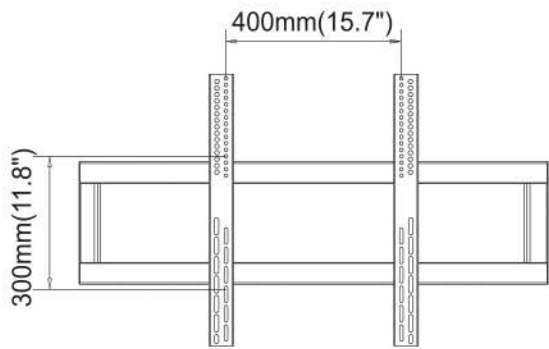
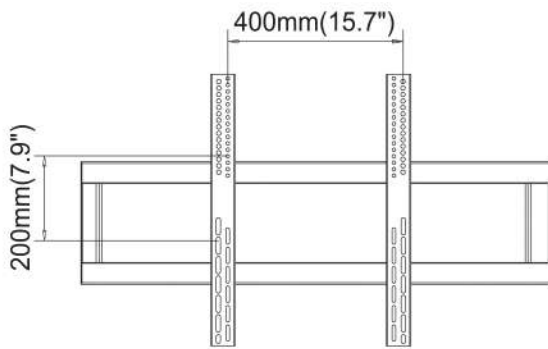
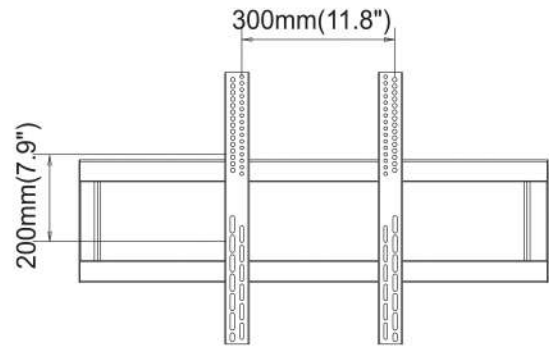
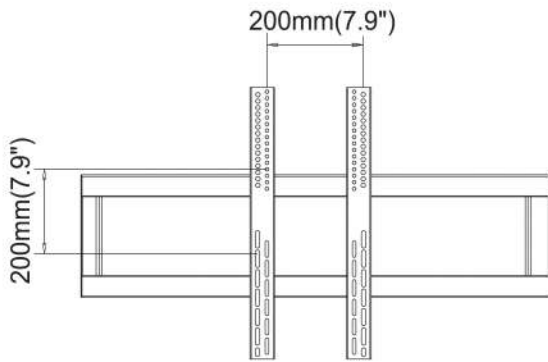
Note:
tighten screws.



6. VESA Mounting Patterns

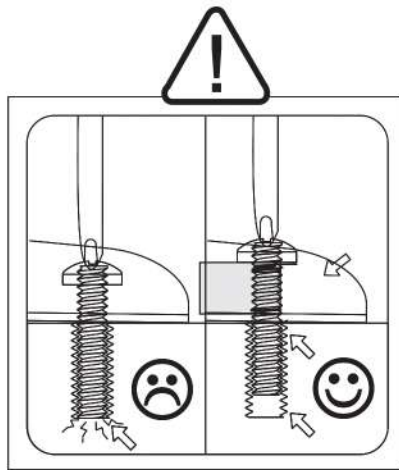
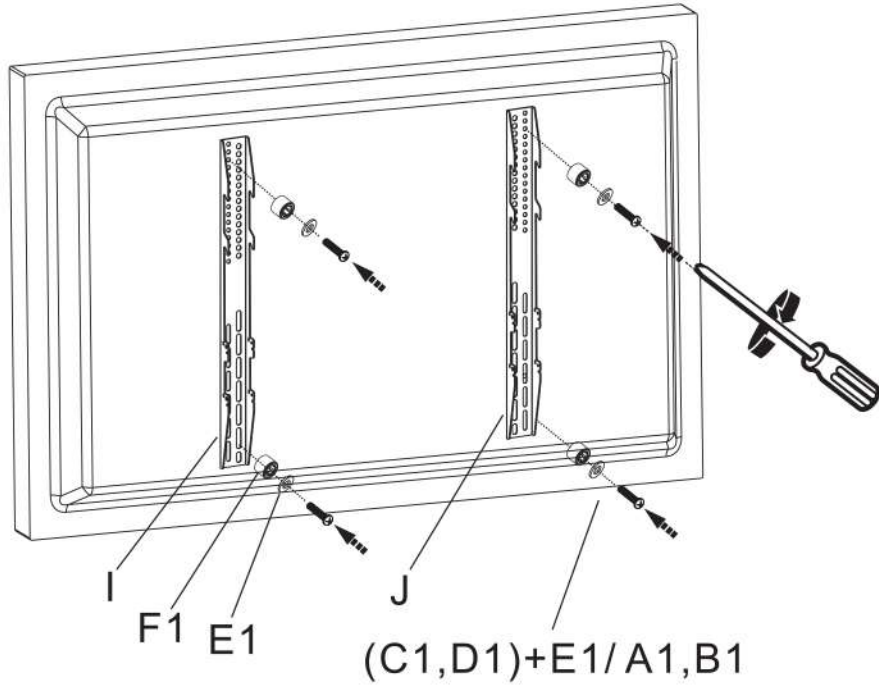
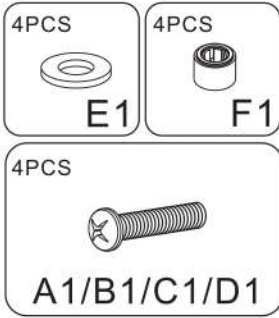
6.1

VESA:200×200-900×600mm



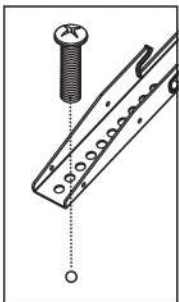
7.VESA Rails and TV Assembly

7.1

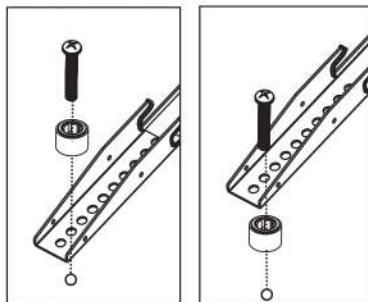


! (Warning icon)
Note:
tighten screws.

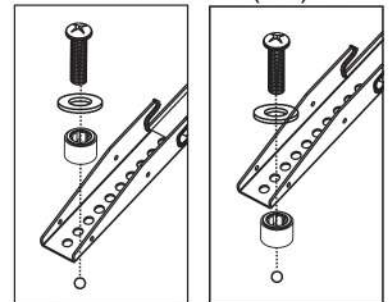
M10×15mm(A1)



M8×25mm(B1)

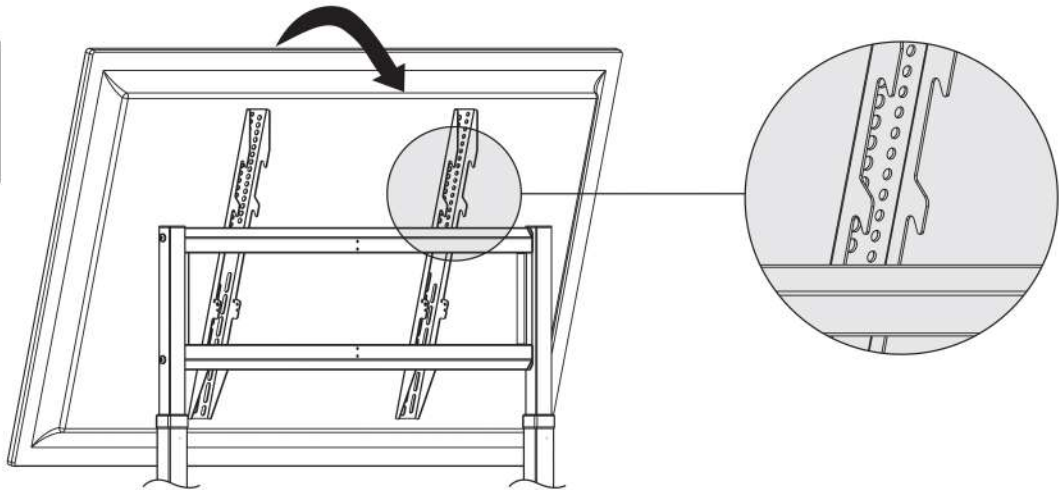


M5×25mm(D1)
M6×25mm(C1)



8. Mounting TV onto Cart

8.1

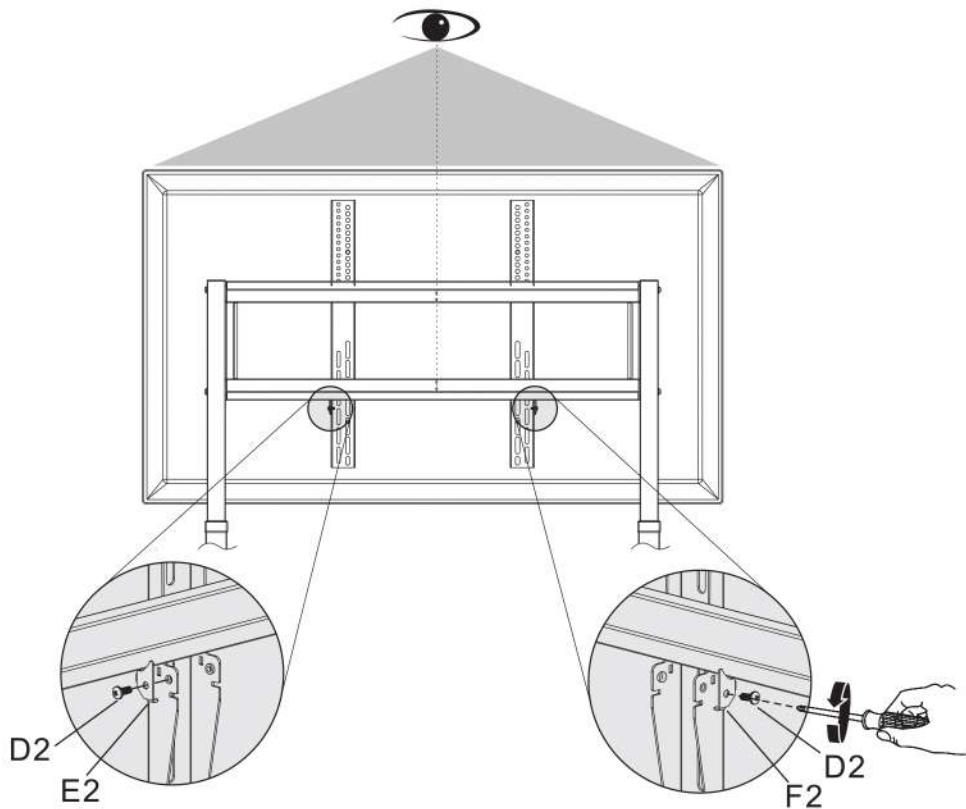


Warning:
Two persons are required to mount TV. Hold TV firmly by the bottom to avoid damage due to slide-off

Warning:
Ensure cart is set at proper height, lest collision between cart and TV

NOTE:
Please fix the rails by the second row of hooks if the TV VESA holes are on the upper side

8.2



9. Camera Tray Assembly

9.1

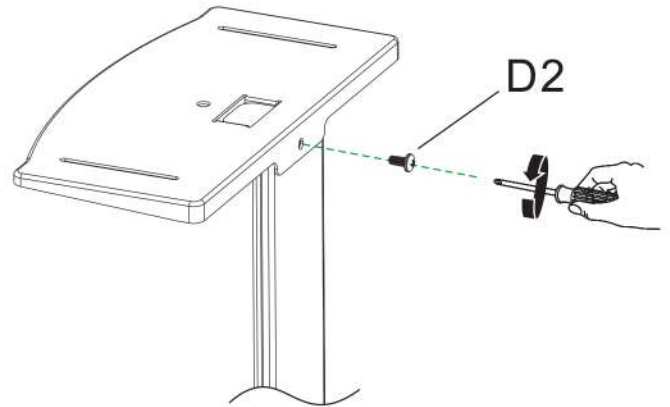
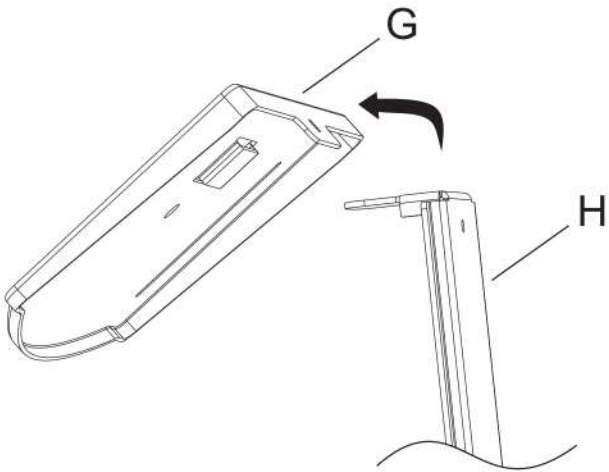
1PCS



D2



Note:
tighten screws.



9.2

2PCS



D2



Note:
tighten screws.

