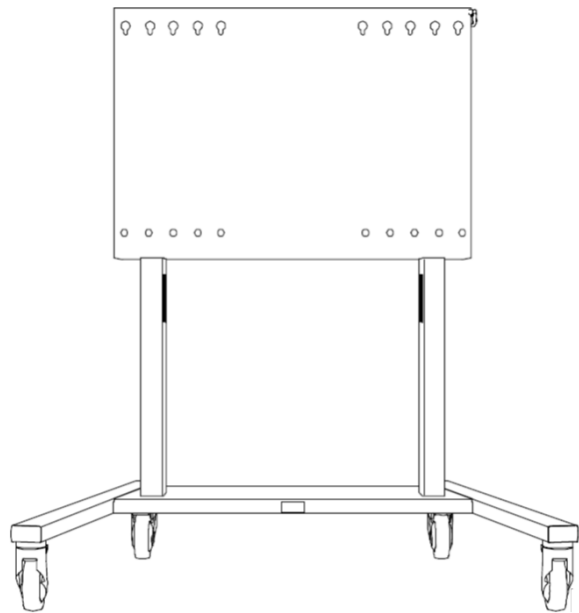


SMART®



Service Parts Diagrams

**For Model:
FSE-400**

Service Parts Diagrams Revision History

Revision 1 - August, 2019

- New document

Revision 2 - August, 2020

- Change warranty from three to five years

Revision 3 - September, 2020

- Change quantity for item 1032667

Standard Warranty Terms

Base product: Five-year limited equipment warranty

First Customer Ship: August, 2020

SMART Technologies

3636 Research Road NW

Calgary, AB T2L 1Y1

CANADA

Support +1.403.228.5940 or Toll Free 1.866.518.6791 (Canada/U.S.)

Support Fax +1.403.806.1256

www.smarttech.com/contactserviceparts www.smarttech.com

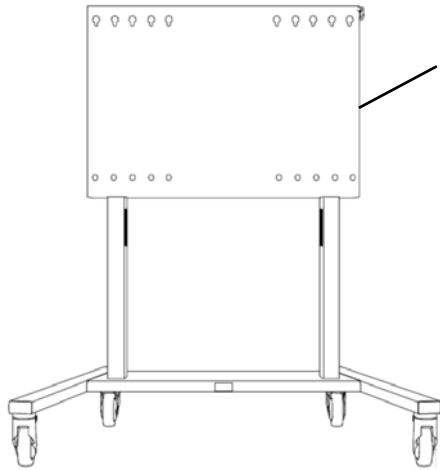


Service Parts Diagrams for the FSE-400

Identifying Your Product Using the Serial Number 1
Ordering Parts 1
FSE-400 Parts 2

Identifying Your Product Using the Serial Number

To make sure that you have the correct service parts diagrams, you must verify the serial number of your FSE-400. The serial number is located on the right side of the stand. An example of the serial number format is shown below.



E022LW25A0001

Unique Serial Number

Ordering Parts

Customers

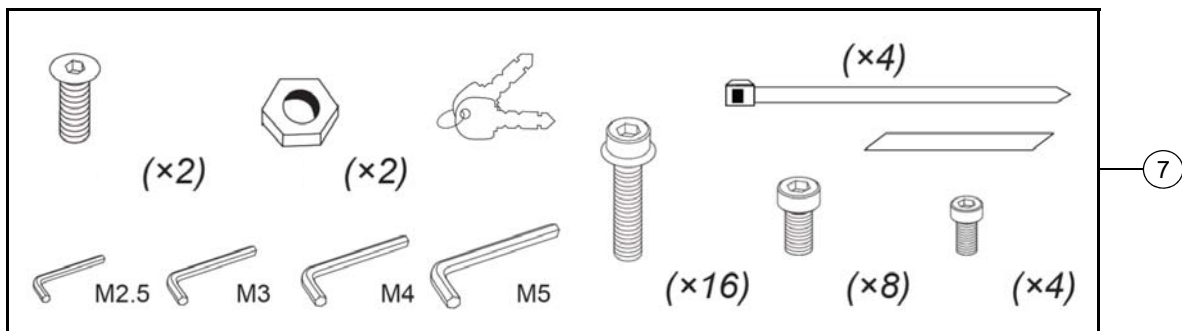
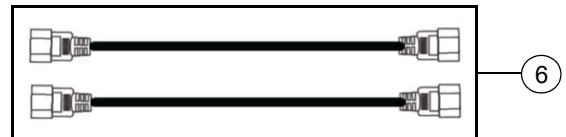
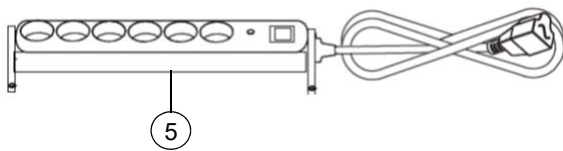
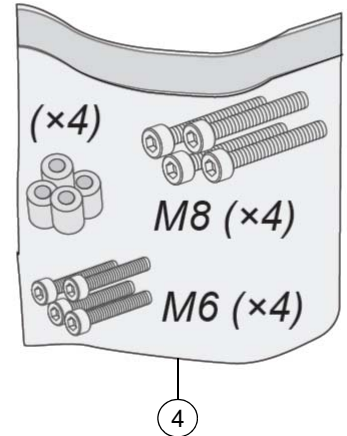
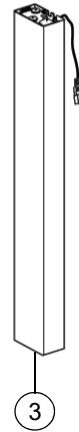
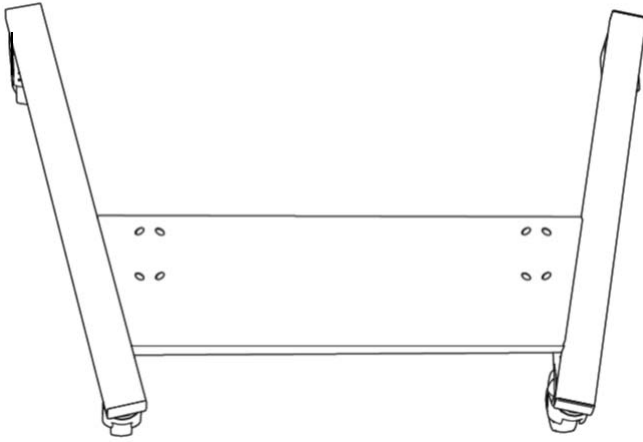
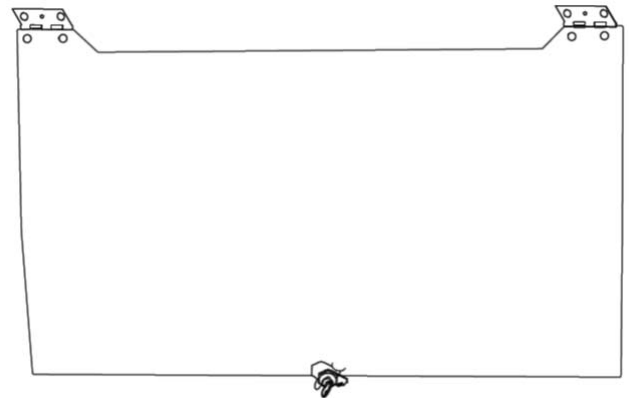
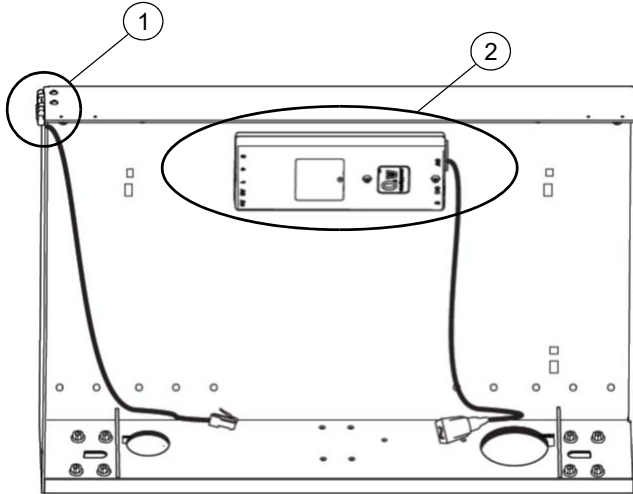
To order any of the parts in these service parts diagrams, contact your local reseller.
To find a reseller near you, visit www.smarttech.com/where.


Dealers and Distributors

For specific technical and pricing enquiries in regards to these diagrams please contact our service parts department.
Pricing is also available on-line via the SOURCE website (source.smarttech.com).

Web Form: www.smarttech.com/contactserviceparts
Phone: 1.888.42.SMART
International: +1.403.245.0333

FSE-400 Parts



Item	Part No.	Qty	Description
1	1032668	1	Desk Panel, SMART Electric Stands FSE-400 & WSE-400 
2	1032666	1	Controller, SMART Electric Stands FSE-400 & WSE-400
3	1032678	2	Actuator, 66 cm, SMART Floor Stand FSE-400/410
4	1032779	1	IFP Panel Kit, SMART Stand FSE-400/410 & WSE-400/410
5	1032838	1	Power Bar, Europe
5	1032872	1	Power Bar, North America
5	1033107	1	Power Bar, United Kingdom
6	1032667	1	Cabling, SMART Electric Stands FSE-400/410 & WSE-400/410
7	1032777	1	FSE-400 Stand Assembly Kit