



SMART electric height-adjustable floor stand

Model FSE-510-W



Overview

Designed for the current line of SMART Board® interactive displays, the SMART electric height-adjustable floor stand features 26" (65 cm) of powered height adjustment. Features include a bounce-back feature if an obstruction is detected, and a controller that locks height adjustment automatically to ensure that only people with proper training or supervision can use the stand. With a sturdy steel frame, the stand supports displays up to 86" (218 cm) diagonal and 254 lb. (115 kg) total weight including accessories. You can easily roll the stand across smooth floors and secure it with the 4" (10 cm) industrial-grade dual locking casters. The stand has a TUV-certified drive system and complies with Americans with Disabilities Act (ADA) standards. The stand also includes multiple VESA mounting points for easy installation of the display and peripherals.

Hardware

Supported SMART Board displays	SMART Board RX series SMART Board GX (V2) SMART Board GX (V3) SMART Board MX (V4) SMART Board MX (V5) SMART Board QX Pro series SMART Board 6000S (V3)
---------------------------------------	--

Maximum display size	Supports displays up to 86" (218 cm) diagonal and 80" (203 cm) wide
-----------------------------	---

Maximum display weight	220 lb. (100 kg)
-------------------------------	------------------

Maximum lift capacity	254 lb. (115 kg)
------------------------------	------------------

Height adjustment (with VESA bracket)

Total range	26" (65 cm)
--------------------	-------------

Maximum extended height	81" (206 cm)
--------------------------------	--------------

Minimum extended height	56" (141 cm)
--------------------------------	--------------

Components

Wheels	4" (10 cm) industrial-grade dual locking casters
---------------	--

Mounting	VESA® mounting patterns	
	400x400	500x400
	600x400	700x400
	800x400	800x600
	All M8. Unit: mm	

Software	SMART Electric Stand Android app available for download.*
-----------------	---

Power

Supply voltage (North America)	120V AC, 60 Hz
---------------------------------------	----------------

Supply voltage (Europe)	230V AC, 50 Hz
--------------------------------	----------------

Standby mode	< 0.7 W
---------------------	---------

Duty cycle	10% (2 minutes of operation fully loaded, 18 minutes of rest)
-------------------	---

Operating requirements

Operating temperature	32–104°F (0–40°C)
------------------------------	-------------------

Storage temperature	–4–140°F (–20–60°C)
----------------------------	---------------------

Humidity	90% non-condensing
-----------------	--------------------

Included cables and accessories

Transfer cable	1
-----------------------	---

Power strip	1
--------------------	---

*Compatible with SMART displays only.

SMART electric height-adjustable floor stand

Certification and compliance

Regulatory certification	FCC, ISED, UL (US and Canada) Usage Area II, CB, CE, LVD, EMCD, UKCA
Environmental compliance	RoHS, REACH, POP, Packaging, WEEE, TSCA, CONEG Packaging, California Prop 65
Other	ADA

Purchasing information

Order number: FSE-510-W	SMART Electric Height- Adjustable Floor Stand, FSE- 510-W, UL Listed, Locking, White
Order number: FSE-500-LS-WH	Laptop Shelf, SMART Stand, FSE-500-LS-WH, White
Order number: FSE-500-CM-BK	Camera Bracket, SMART Stand, FSE-500-CM-B, Black
Optional accessories	See smarttech.com/accessories

Warranty

SMART Warranty	5 years
-----------------------	---------

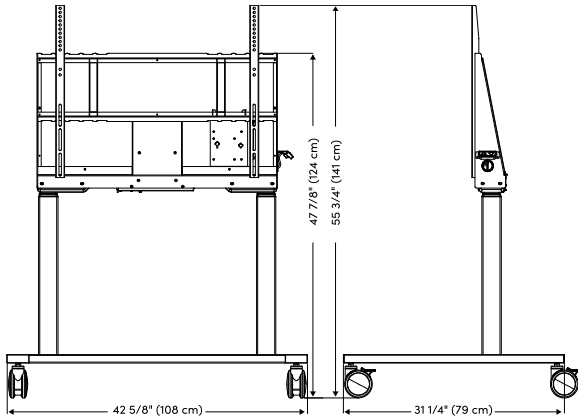
Installation, dimensions, and weights

Notes

- All dimensions ± 0.3 cm. All weights ± 0.9 kg.
- Product ships upright.

FSE-510-W

Dimensions



Stand Weight

39 kg

Shipping carton dimensions

114 cm \times 85 cm \times 18 cm

Shipping weight

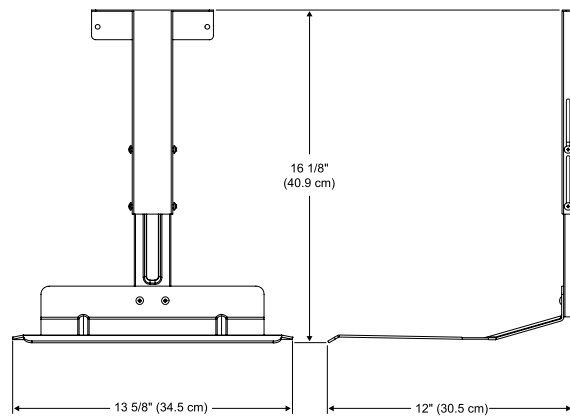
45 kg

Storage cabinet dimensions

75 cm \times 50 cm \times 18.1 cm

FSE-500-LS-WH

Dimensions



Shipping carton dimensions

40 cm \times 34 cm \times 7 cm

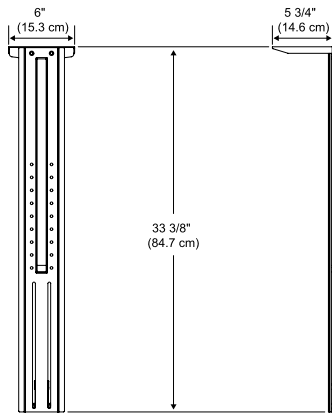
Shipping weight

3 kg

Installation, dimensions, and weights (continued)

FSE-500-CM-BK

Dimensions



Shipping carton dimensions

88.5 cm × 17 cm × 4 cm

Shipping weight

2 kg

smarttech.com
smarttech.com/contact

© 2024 SMART Technologies ULC. All rights reserved. SMART Board, smarttech, the SMART logo and all SMART taglines are trademarks or registered trademarks of SMART Technologies ULC in the U.S. and/or other countries. All third-party product and company names may be trademarks of their respective owners. This product and/or use thereof is covered by one or more of the following U.S. patents: www.smarttech.com/patents. Models and specifications may vary by region. Please contact your local representative for details. Contents are subject to change without notice. September 26, 2024.