

SMART Board® GX (V3) series



| Display | |
|-----------------------------------|--|
| Screen sizes (diagonal) | 65" 75" 86" |
| Backlight | LED |
| Aspect ratio | 16:9 |
| Maximum display resolution | 4K UHD (3840 × 2160) |
| Refresh rate | 60 Hz |
| Lifespan | ≥ 50,000 hours |
| Brightness¹ | 400 cd/m ² |
| Display response time | ≤ 8 ms |
| Viewing angle | 178° |
| Glass | Full heat-tempered Anti-glare Bonded |
| Frame color | Black |
| Convenience buttons | Power Home Volume Freeze frame |
| Sensors | Ambient light Infrared |
| Audio | 2 integrated 20W speakers with high fidelity audio |

| Interactive experience | |
|------------------------------------|---|
| Touch technology | Advanced infrared |
| Touch features | Simultaneous tool differentiation ² Object Awareness ^{TM3} Silktouch TM |
| Typical touch response time | ≤ 8 ms |
| Frame rate | ≥ 125 Hz |
| Accuracy | 1 mm |
| Minimum object size | 2 mm |
| Multitouch capabilities | 40 – Windows® 32 – Android TM 20 – Mac 10 – Chrome OS TM |
| Tools included | Pens (x2) |
| Tool holders | Magnetic Frame-mounted |
| Software | |
| Included | Embedded Android OS SMART Notebook® SMART Product Drivers and SMART Ink® |
| Optional | SMART Notebook Plus Lumio TM by SMART SMART Meeting Pro® SMART TeamWorks TM SMART Remote Management |

¹Brightness of individual displays can vary.

²A connected computer with SMART Product Drivers is required.

Only supported in SMART Notebook and SMART Ink.

³When connected to a computer with SMART Product Drivers

| Embedded Android OS | |
|--|---|
| Operating system | Android version 11.0 (upgradable to Android 13.0) ⁴ |
| CPU | Quad-core |
| Memory | 8 GB DDR4 |
| Storage | 64 GB |
| Digital whiteboard | ✓ |
| Web browser | ✓ |
| Screen sharing | ✓ |
| Other features | Input select File manager Overlay Split screen Picture-in-picture (PIP) with touch pass-through Interactive widgets App library |
| WPS Office | ✓ |
| Ability to run third-party applications | ✓ |
| Cloud storage access | ✓ |
| Languages supported | Arabic Bulgarian Chinese (simplified) Chinese (traditional) Croatian Czech Danish Dutch English Estonian Finnish French German Greek Hungarian Indonesian Italian Japanese Korean Latvian Lithuanian Norwegian Polish Portuguese Romanian Russian Serbian Slovenian Spanish Swedish Thai Turkish Ukrainian Vietnamese |
| Updates | Over-the-air (OTA) |

| PC computing | |
|--------------------------------------|---|
| OPS support⁵ | SMART PCM modules |
| PC module power supported OPS | 90 W |
| Optional computing module | See > smarttech.com/accessories |

| Inputs | Front | Back |
|--|-------|------|
| OPS PC accessory slot | – | 1 |
| HDMI® 2.0 with HDCP 1.4 and HDCP 2.2 support | 1 | 2 |
| Display Port 1.2 | – | 1 |
| VGA video | – | 1 |
| Stereo 3.5 mm (variable) | – | 1 |
| RS-232 (DB-9 connector) | – | 1 |
| RJ45 (LAN IN) | – | 1 |
| USB Type-C 4K @ 60Hz Display Port alternate mode, touch, digital audio, USB 3.2 Gen 1 (DFP) for peripherals; 15 W power delivery | 1 | – |
| USB Type-C 4K @ 60Hz Display Port alternate mode, touch, digital audio, USB 2.0 Hi-Speed USB | – | 1 |
| USB 2.0 Type-A | – | 1 |
| USB 3.2 Gen 1 Type-A | 2 | 2 |
| USB 2.0 Type-B | 1 | 1 |

| Outputs | Front | Back |
|--|-------|------|
| HDMI 2.0 with HDCP 1.4 and 2.2 support | – | 1 |
| Stereo 3.5 mm (variable) | – | 1 |
| S/PDIF optical (fixed) | – | 1 |
| RJ45 (LAN OUT) | – | 1 |

| Included cables and accessories | Qty |
|--|-----|
| Country-specific power cable | 1 |
| 16' 5" (5 m) USB 2.0 A to B cable | 1 |
| Pens | 2 |
| External dual-band Wi-Fi (2.4 and 5 GHz) and Bluetooth® (2.4 GHz) antennas | 2 |
| Remote control | 1 |
| AAA batteries | 2 |
| Illustrated installation instructions | 1 |
| Important information document | 1 |

⁴Update available in 2024 using a USB drive (not available OTA).

⁵The support and performance of third-party OPS (Open Pluggable Specification) and OPS-C modules may vary. Conduct proper compatibility testing to avoid potential issues.

Connectivity

| | |
|------------------|--|
| Wired | RJ45 (x2) 1000baseT |
| Wi-Fi | IEEE 802.11ax (Wi-Fi 6) supporting WEP, WPA, WPA2, WPA3 PSK, and 802.1X EAP authentication protocols Wi-Fi access point |
| Bluetooth | 5.0 dual mode |

Storage and operating requirements

| | |
|------------------------------|--|
| Power requirements | 100V to 240V AC, 50 Hz to 60 Hz |
| Operating temperature | 32–104°F (0–40°C) |
| Storage temperature | 14–140°F (-10–60°C) |
| Humidity | 20–80% relative humidity, non-condensing |

Power consumption

| | |
|----------------|--------------------------------------|
| Typical | 65": 79 W 75": 88 W 86": 119 W |
| Standby | <0.5 W |

Certification and compliance⁶

| | |
|--------------------------------|---|
| Regulatory models | IDGX65-2 IDGX75-2 IDGX86-2 |
| US / Canada | cULus FCC ISED TSCA CONEG Packaging Proposition 65 |
| EU / EEA / EFTA / UK | CE UKCA LVD CB EMCD RED REACH RoHS Battery WEEE Packaging POP Ecodesign |
| Australia / New Zealand | RCM |
| Performance standards | ENERGY STAR® HDMI HDCP |

Purchasing information⁷

Order numbers

| | |
|-----------------|--|
| GX165-V3 | SMART Board® GX065-V3 interactive display with embedded OS |
| GX175-V3 | SMART Board GX075-V3 interactive display with embedded OS |
| GX186-V3 | SMART Board GX086-V3 interactive display with embedded OS |

Optional accessories

See > smarttech.com/accessories

SMART Warranty

Terms and conditions and warranty upgrade options vary by region. Visit smarttech.com/warranty or contact your reseller for information.

Cable requirements

See > *SMART cables and connectors guide* (docs.smarttech.com/kb/171926)



⁶Product availability may vary by region.

This product has received additional certifications not listed here.

⁷Order numbers may vary by region.

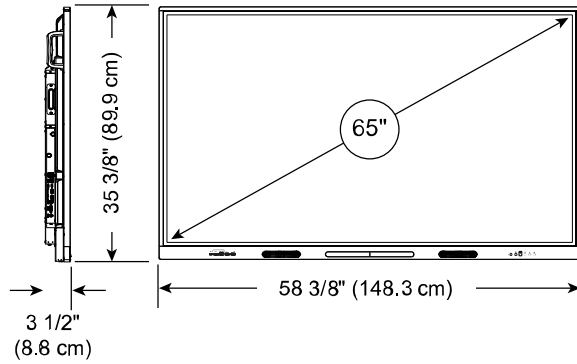
Installation, dimensions, and weights

Notes

- All dimensions $\pm 1/8"$ (0.3 cm). All weights ± 2 lb. (0.9 kg).
- Product ships upright.

65" models

Dimensions



Weight

82 lb. (37 kg)

Shipping dimensions (including pallet)

$63 \frac{3}{4}" \times 45 \frac{7}{8}" \times 6 \frac{1}{4}"$
(162 cm \times 116.5 cm \times 16 cm)

Shipping weight

118 lb. (54 kg)

VESA mount

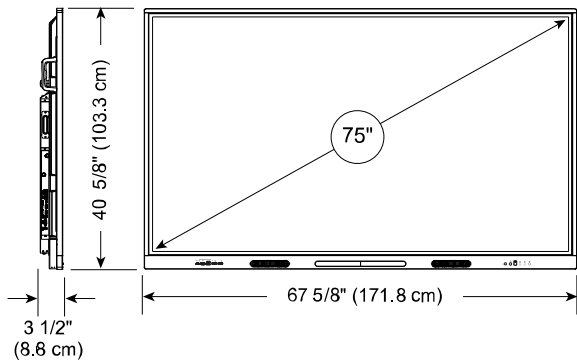
M8 | 600 \times 400 mm

Handles

2

75" models

Dimensions



Weight

114 lb. (52 kg)

Shipping dimensions (including pallet)

$71 \frac{5}{8}" \times 50 \frac{5}{8}" \times 6 \frac{1}{4}"$
(182 cm \times 128.5 cm \times 16 cm)

Shipping weight

158 lb. (71 kg)

VESA mount

M8 | 800 \times 400 mm

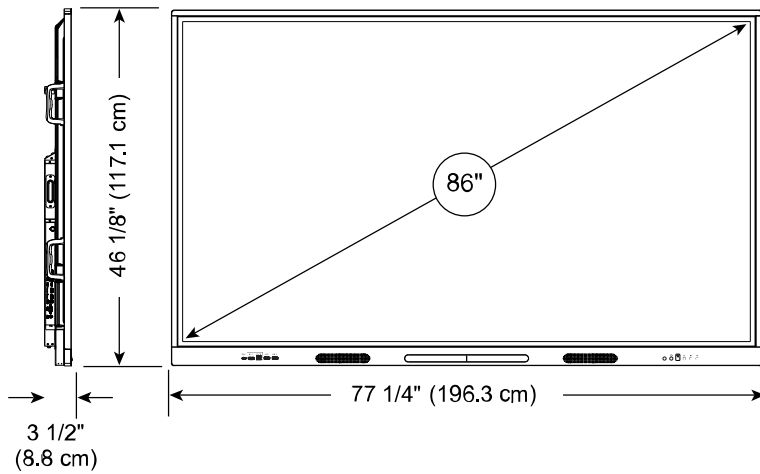
Handles

2

Installation, dimensions, and weights (continued)

86" models

Dimensions



Weight

143 lb. (65 kg)

Shipping dimensions (including pallet)

85 1/4" × 56 7/8" × 6 1/4"
(216.5 cm × 144.5 cm × 16.0 cm)

Shipping weight

198 lb. (90 kg)

VESA mount

M8 | 800 × 600 mm

Handles

4

smarttech.com
smarttech.com/contact

© 2024 SMART Technologies ULC. All rights reserved. SMART Board, SMART Notebook, Lumio by SMART, SMART Meeting Pro, SMART TeamWorks, SMART Ink, Simultaneous Tool Differentiation, Object Awareness, Silktouch, smarttech, the SMART logo and all SMART taglines are trademarks or registered trademarks of SMART Technologies ULC in the US and/or other countries. The Adopted Trademarks HDMI, HDMI High-Definition Multimedia Interface, and the HDMI Logo are trademarks or registered trademarks of HDMI Licensing Administrator, Inc. in the United States and other countries. The Bluetooth word mark is owned by the Bluetooth SIG, Inc. and any use of such marks by SMART Technologies ULC is under license. Android and Chrome OS are trademarks of Google Inc. All other third-party product and company names may be trademarks of their respective owners. This product and/or use thereof is covered by one or more of the following US patents: www.smarttech.com/patents. Contents are subject to change without notice. March 20, 2024.