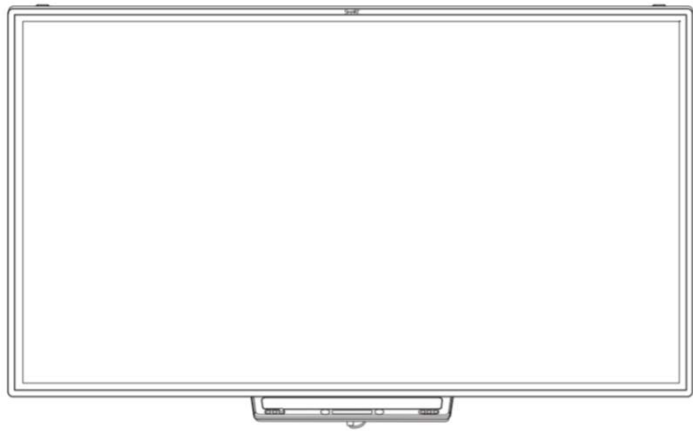




# SMART<sup>®</sup>



## ***Service Parts Diagrams***

**For Model:**

**SBM777-43**

**SBM787**

**SBM794-169**

**SBM797**

# Service Parts Diagrams Revision History

## Revision 1 - August, 2021

- New document

## Standard Warranty Terms

Base Product: Three-year limited equipment warranty

First Customer Ship: August, 2021

---

**SMART Technologies**

3636 Research Road NW

Calgary, AB T2L 1Y1

CANADA

Support +1.403.228.5940 or Toll Free 1.866.518.6791 (Canada/U.S.)

Support Fax +1.403.806.1256

[www.smarttech.com/contactserviceparts](http://www.smarttech.com/contactserviceparts) [www.smarttech.com](http://www.smarttech.com)



# Service Parts Diagrams for the SBM700 Series

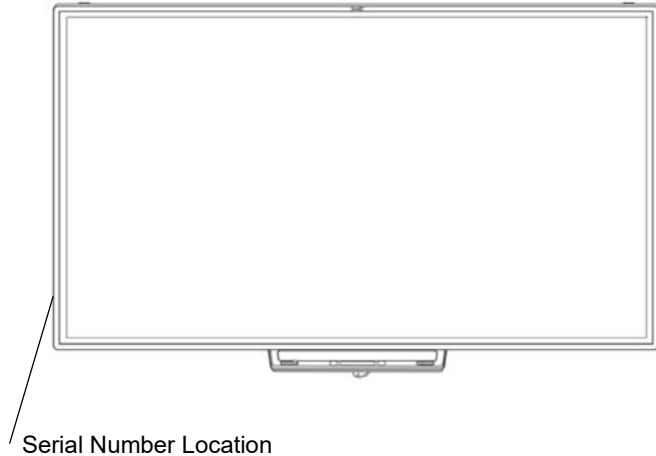
---

- Identifying Your Product Using the Serial Number ..... 1
- Ordering Parts ..... 1
- SBM700 Series Parts ..... 2
- Optional SBM7 Pen Replacement Nibs - Set of 10 (Part No. 1036660) ..... 3



## Identifying Your Product Using the Serial Number

To make sure that you have the correct service parts diagrams, you must verify the serial number of your SBM700 series interactive whiteboard. The serial number will be located on the side of the left hand bezel as shown below. An example of the serial number format is shown below.



Unique Serial Number

**D042MW44A0400**

## Ordering Parts

### Customers

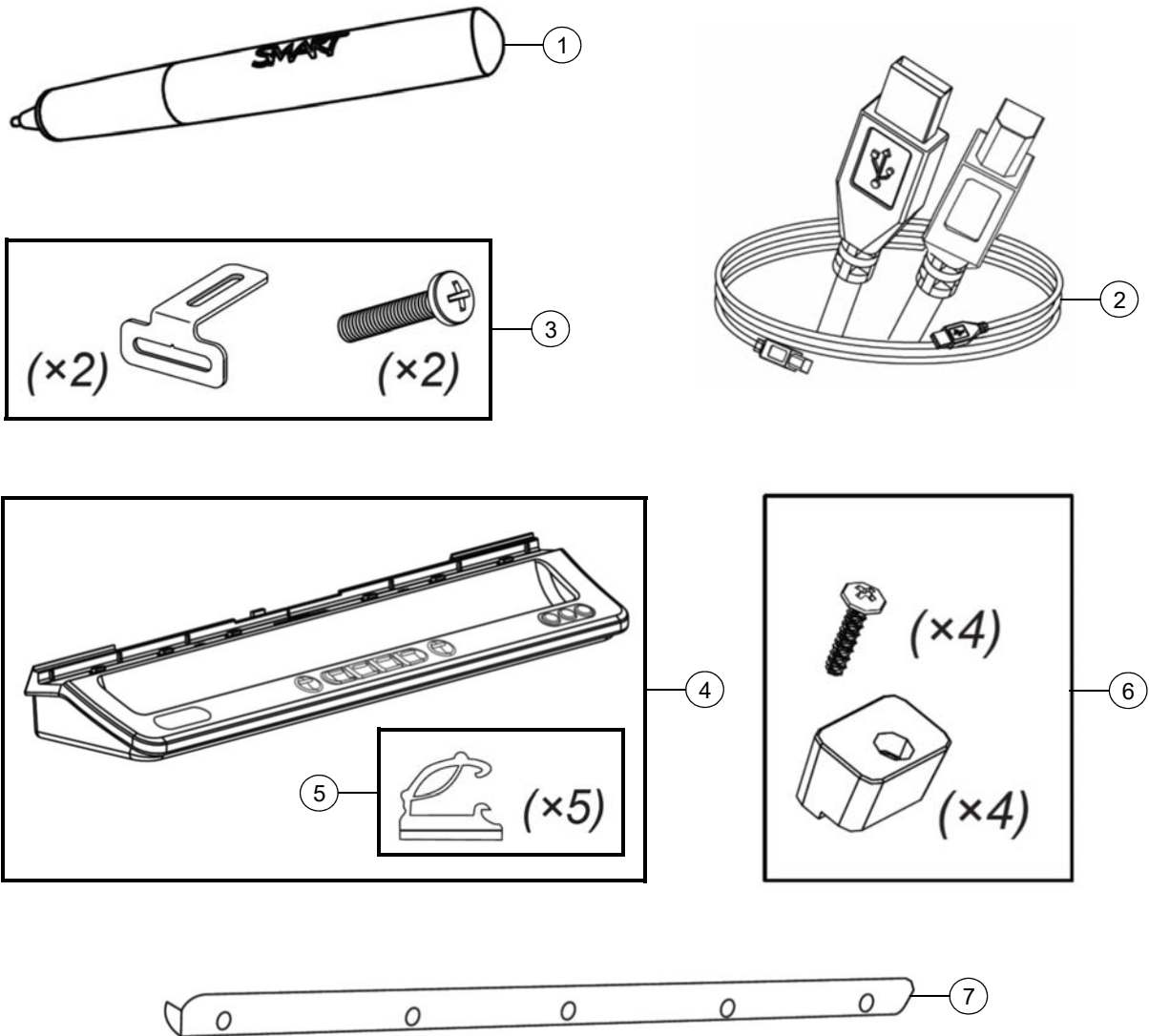
To order any of the parts in these service parts diagrams, contact your local reseller. To find a reseller near you, visit [www.smarttech.com/where](http://www.smarttech.com/where).

### Dealers and Distributors

For specific technical and pricing enquiries in regards to these diagrams please contact our service parts department. Pricing is also available on-line via the SOURCE website ([source.smarttech.com](http://source.smarttech.com)).

Web Form: [www.smarttech.com/contactserviceparts](http://www.smarttech.com/contactserviceparts)  
Phone: 1.888.42.SMART  
International: +1.403.245.0333

# SBM700 Series Parts



Item	Part No.	Qty	Description
1	1036658	2	Assembly, pen, SBM7
2	1028289	1	Cable, USB, A-B, 16' (5.0 m)
3	1036872	1	Assembly, pen ledge mounting hardware, SBM7
4	1035955	1	Assembly, pen tray, SBM7 <b>NOTE:</b> Includes pen tray and item 5.
5	1036662	1	Assembly, C clip, adhesive back, SBM7
6	1035592	1	Assembly, wall spacer, SBM7
7	1009826	2	Bracket, wall mount, blue <b>NOTE:</b> For the SBM777-43 only one bracket is included and required.

**Optional SBM7 Pen Replacement Nibs - Set of 10 (Part No. 1036660)**

